



Design Span[®] hp

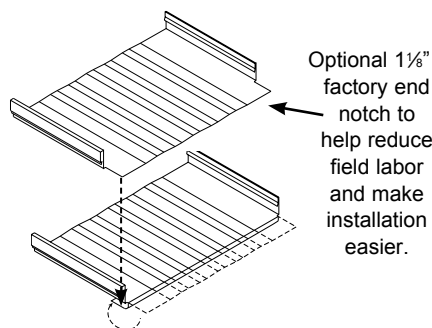


~Limited~
**Lifetime
Warranty**
DURATECH[®]

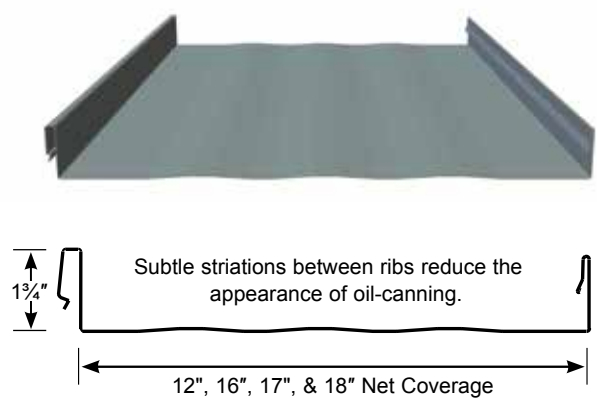
STANDING BY OUR PRODUCTS AND WARRANTIES FOR 40 YEARS

When you're looking for protection, beauty and value in a roof, a distinctive standing seam panel offers the best solution. Compared to other metal roofing products, **Design Span hp** offers excellence above the rest.

- Made from recycled steel and offered in 22 COOL colors and bare Zincolume[®] Plus.
- A 24 gauge steel panel that can be installed over solid substrates or spaced support members at spans up to 4'-0".
- A high performing paint finish confidently backed by a limited lifetime warranty for residential applications.
- Factory notching available for turn under at the eave (some limitations apply).
Notch provides a clean detail and reduction in labor.
- A snap-on panel requiring no field seaming, and comes standard with factory applied sealant in the female leg for reduced field labor and ease of installation.
- Has been tested for air infiltration per ASTM E1680, water infiltration per ASTM E1646 and wind uplift per ASTM E1592.
- Design Span hp panel assemblies are Class A Fire Rated when installed on noncombustible deck or framing per the IBC or IRC. Delta Rib panel assemblies are also Class A Fire Rated per UL790 when installed in accordance to UL listings.



Factory notch allows panel to be field turned down with clean, uniform detail.



FOR MORE INFORMATION VISIT US ONLINE TODAY AT WWW.ASCBP.COM

Salem Customer Service: 503-390-7174 or 800-272-7023 • Spokane Customer Service: 509-536-4097 or 800-776-8771

EXCELLENCE IN STANDING SEAM STEEL ROOFING

Cool
DURATECH[®]
5000

**These Energy Saving Cool Colors
keep the Heat Out and the Color Brilliant.**



- **Superior** color retention and resistance to chalk and fade.
- DuraTech 5000 energy saving **COOL** colors reduce the demand for energy.
- This **premium** paint system is ideal for residential applications.



Cool Regal White
R .70 • E .86 • SRI 85



Cool Zinc Grey
R .36 • E .87 • SRI 39



Cool Parchment
R .50 • E .86 • SRI 57



Cool Red
R .44 • E .86 • SRI 49



Cool Old Town Gray
R .38 • E .87 • SRI 41



Cool Sierra Tan
R .50 • E .87 • SRI 57



Cool Hemlock Green
R .30 • E .86 • SRI 30



Cool Leaf Green
R .29 • E .86 • SRI 29



Cool Colonial Red
R .33 • E .87 • SRI 35



Cool Terra-Cotta
R .38 • E .87 • SRI 41



Cool Forest Green
R .29 • E .87 • SRI 29



Cool Tahoe Blue
R .30 • E .86 • SRI 30



Cool Marine Green
R .41 • E .86 • SRI 45



Cool Jade Green
R .30 • E .87 • SRI 31



Cool Weathered Copper
R .36 • E .87 • SRI 38



Cool Matte Black
R .30 • E .85 • SRI 30



Cool Regal Blue
R .30 • E .85 • SRI 30



Cool Dark Bronze
R .34 • E .87 • SRI 36



Zincalume[®] Plus (Bare Steel)
R .58 • E .06 • SRI 32

Note: Color swatches are for reference only and are limited by printing process and viewing conditions. Actual color samples are available upon request. Contact ASCBP for actual color samples prior to purchase.

Cool
DURATECH[®]**mx**

**Energy Savings in long
lasting Cool Metallic Colors**



Cool Copper Penny †
R .51 • E .86 • SRI 58



Cool Metallic Champagne †
R .47 • E .85 • SRI 53



Cool Metallic Silver †
R .53 • E .79 • SRI 59



Cool ZACTique[®] II †
R .35 • E .84 • SRI 36

†Metallic colors are subject to a price up charge. Metallic coatings are batch sensitive and directional in nature. Minor differences in both color and appearance are normal and to be expected with metallic coatings, as it is virtually impossible to match one metallic coating to another. Due to the coil application process, striations and longitudinal patterning may also show on these products. To minimize the possible visual effects of the normal minor differences in paint and its application, an entire job should be painted at one time. Additionally, fabricated panels, flat sheets, and flashings should be orientated in the same direction for installation.

Oil Canning

All flat metal surfaces can display waviness commonly referred to as "oil canning". "Oil canning" is an inherent characteristic of steel products, not a defect, and therefore is not a cause for panel rejection.



©2012 ASC Profiles, Inc. — A BlueScope Steel Company. All rights reserved. November 2012 10M (PS225)

FOR MORE INFORMATION VISIT US ONLINE TODAY AT WWW.ASCBP.COM

Salem Customer Service: 503-390-7174 or 800-272-7023 • Spokane Customer Service: 509-536-4097 or 800-776-8771